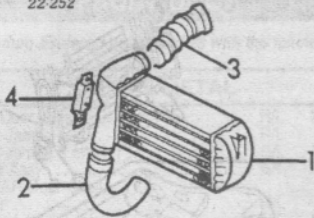


22-252



Pipe, Pressure			
20 Valve Eng	034 145 731		289.75
2 Hose, Cooler (To Turbocharger)			
10 Valve Eng			
1989			
To Ch 44K038261	034 145 746 F m		151.80
From Ch 44K038262	034 145 746 P m		151.80
1990-91	034 145 746 P m		151.80
20 Valve Eng	034 145 747		52.80
3 Tube, Cooler			
10 Valve Eng	034 145 720 m		84.25
20 Valve Eng	035 145 720 A m		88.20
4 Bracket, Side Mount	035 145 813 m		3.55

EMISSION SYSTEM

Valve, Solenoid			
10 Valve Eng			
1989			
To Ch 44K038261	034 906 283 C m		71.85
From Ch 44K038262	034 906 283 E m		71.85
1990-91	034 906 283 E m		71.85
20 Valve Eng	034 906 283 J m		71.85
Container, Carbon			
1989			
To Ch 44K043000	175 201 801 A m	.3	61.80
From Ch 44K043001	441 201 801 m	.3	163.20
1990-91	441 201 801 m	.3	163.20
Bracket, Carbon Container			
100 Series	321 201 809		6.60
200 Series	035 133 559		d3.20
Accumulator, Vapor	447 133 441 m	.6	111.95

ELECTRICAL

HORN

Horn			
High Note	431 951 223	.3	d34.25
Low Note	893 951 221	.3	47.70
Relay, Horn	141 951 253 B m	.3	22.60
Cap, Distributor	034 905 207 B m	.3	30.95

BATTERY/IGNITION

Battery	191 915 105 N	.4	102.75
Cable, Positive Battery			
100 Series	443 971 225 M	2.2	311.60
200 Series	447 971 225 J	2.2	429.30
Cable, Negative Battery			
100 Series			
1989			
To Ch 44L000000	281 971 235 B	.4	29.40
From Ch 44L000001	251 971 235 C	.4	30.00
1991	251 971 235 C		30.00
200 Series	251 971 235 C	.4	30.00
Cover, Battery	443 819 423 B		9.55
Clamp, Hold Down			
100 Series	855 915 329		5.15
200 Series	443 804 373 A		26.05
Module, Main Computer (a)			
100 Series			
w/ Calif Emissions	443 906 264 A m	.8	695.00
w/ Calif Emissions	443 906 264 B m	.8	695.00
200 Series	035 905 383 T m	.8	1277.00
¶ Located on Right Side of Dashboard			
(a) Order by Application			
Coil, Ignition	443 905 105 E m	.5	264.25

ALTERNATOR

Alternator			
100 Series			
90 Amp	051 903 017 m	1.1	d642.00
110 Amp	034 903 017 B m	1.1	782.00
200 Series			
90 Amp	026 903 017 BV m	1.1	237.46
110 Amp	034 903 017 B m	1.1	782.00
Pulley (a)	034 903 119 D m	#.6	d68.39
Fan, Pulley (a)	034 903 171 m	#.6	18.75
¶ Order by Application			
#R&R Complete			
Belt, Drive	034 903 137 A	.4	21.80
Brkt, Upper Mtg-See Engine Mounts Section			
Brace, Adjusting	034 903 247 D	#.3	10.30
#w/ Alternator Removed			
Cover, Intake (a)			
100 Series	035 903 193 B		33.50
200 Series	035 903 193 K		43.15
Tube, Air (a)	035 903 655 F		3.55
Duct, Air Intake (a)	035 121 673 B	.2	39.70
¶ Order by Application			

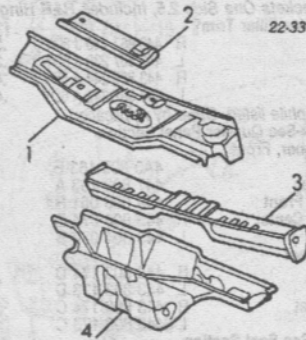
WINDSHIELD

Use Procedure Explanation 13 with the following text.

Glass, Windshield			
Audi-Shaded	443 845 099 AE	3.5	667.00
NAGS			
Green/Green Shade	FW00578GGN	3.5	834.55
Moulding, Reveal	443 853 299	#3.5	103.90
¶R&R Complete w/Glass, Requires Replace when R&I			
Glass			
Moulding, Joint Cover	443 853 367 G		2.45
Moulding, Inside Garnish (a)			
Side			
Sedan			
R	447 867 232 A 8DY	.3	59.20
L	441 867 231 8DY	.3	59.20
Wagon			
R	447 867 232 A 8DY	.3	59.20
L	441 867 231 8DY	.3	59.20
¶ Graphite listed, Order by Application			
Visor, Sun			
100 Series			
R	443 857 552 E 8RJ	.2	132.85
L	443 857 551 E 8RJ	.2	132.85
200 Series			
R	441 857 552 A 8RJ	.2	132.85
L	441 857 551 A 8RJ	.2	132.85
Blade, Wiper			
Arm, Wiper			
R/L	200 955 421 A	.1	11.00
R	443 955 407 F	.2	67.25
L	443 955 407 E	.2	78.20
Motor, Wiper			
1989			
To Ch 44K052084	443 955 113 A	.8	211.70
From Ch 44K052085	443 955 113 C	.8	308.05
1990-91			
Pump, Washer	431 955 651	.5	50.90
Reservoir, Front Washer			
10 Valve Eng	447 955 453 L	.3	89.70
20 Valve Eng	447 955 453 T		92.40
Reservoir, Rear Washer-See Liftgate Section			
Nozzle, Washer			
Non-Heated	R/L 8D0 955 987	.3	2.45
Heated	R/L 8D0 955 988	.3	38.55

COWL & DASH

Use Procedure Explanations 14 and 28 with the following text.



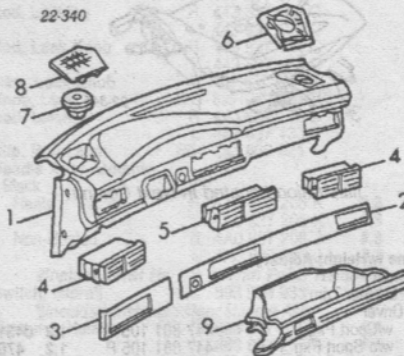
1 Cover, Cowl Top (Plastic)	443 819 403 G	.5	57.70
2 Plate, Cover	R/L 443 819 423 C		6.40
3 Crossmember, Column	443 805 305 C		d277.50
4 Panel, Dash			
w/Air Bag	443 805 261 J		d500.00
w/o Air Bag	443 805 261 H		d500.00

INSTRUMENT PANEL

Use Procedure Explanation 14 with the following text.

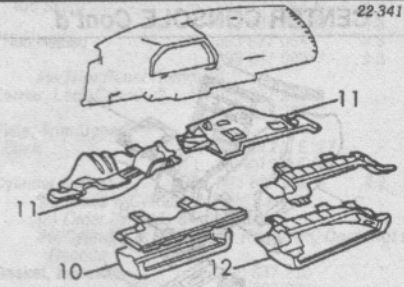
R&I Instrument Panel m 3.5

NOTE: All Parts in this section are included in R&R Instrument Panel unless noted otherwise.



22-340			
6			
8			
7			
1			
5			
4			
2			
3			
9			

22-341



1 Panel, Instrument (a)			
100 Series			
w/Air Bag	443 857 003 P 5AY m	5.5	1033.00
w/o Air Bag			
Manual A/C	443 857 039 E 5AY m	5.5	d826.00
Auto A/C	443 857 039 G 5AY m	5.5	850.00
200 Series			
w/Air Bag	443 857 003 P 5AY m	6.0	1033.00
w/o Air Bag	443 857 039 G 5AY m	6.0	850.00
2 Panel, Right Vent Trim			
100 Series			
w/Air Bag	447 853 194 A 4UH	1.0	d484.95
w/o Air Bag			
w/Wood Inlay	447 853 192 4UH	1.0	345.80
w/o Wood Inlay (a)	443 853 194 7FR	1.0	d155.20
200 Series			
w/Air Bag	447 853 194 A 4UH	1.0	d484.95
w/o Air Bag	447 853 192 4UH	1.0	345.80
3 Panel, Left Vent Trim			
100 Series			
w/Air Bag	447 853 191 B 4UH	.5	d252.85
w/o Air Bag			
w/Wood Inlay	447 853 191 4UH	.5	d345.80
w/o Wood Inlay (a)	443 853 193 7FR	.5	d56.90
200 Series			
w/Air Bag	447 853 191 B 4UH	.5	d252.85
w/o Air Bag	447 853 191 4UH	.5	d345.80
¶ Graphite listed, Order by Application			
4 Vent, Air Outer			
w/Air Bag	R 441 820 902 01C	.3	81.75
L	441 820 901 01C	.3	84.20
w/o Air Bag	R/L 443 820 901 D 01C	.3	79.15
5 Vent, Air Inner			
w/Air Bag	441 820 951 01C	.3	103.30
w/o Air Bag	443 820 951 A 01C	.3	120.25
Vent, Air Upper (a)			
Defroster			
Outer	R 441 819 794 V7A	.2	21.95
L	441 819 793 V7A	.2	d8.80
Inner			
w/Air Bag	441 819 631 V7A		24.60
w/o Air Bag	443 819 631 B V7A		d19.80
¶ Graphite listed, Order by Application			
Radio Assy-See Center Console Section			
7 Speaker, Radio			
w/Bose Speaker	R 441 035 382	.6	564.00
L	441 035 381	.6	566.00
w/o Bose Speaker	R/L 8G0 035 411	.6	46.05
8 Grille, Speaker (a)	R 441 035 420 V7A	.2	52.10
L	441 035 419 V7A	.2	52.10
9 Glove Box & Door (a)			
100 Series			
w/Air Bag	443 857 035 K 7FR	.5	293.50
w/o Air Bag	443 857 035 L 7FR	.5	293.50
200 Series			
w/Air Bag	447 857 095 B 8FZ	.5	812.00
w/o Air Bag	443 857 035 L 7FR	.5	293.50
Latch, Glove Box (a)			
100 Series	443 857 131 7FR	.2	38.05
200 Series			
w/Air Bag	441 857 131 7FR	.2	38.05
w/o Air Bag	443 857 131 7FR	.2	38.05
¶ Graphite listed, Order by Application			
Cylinder & Key	893 857 113	.3	16.65
10 Tray, Left Storage (a)	443 863 075 J 7FR	.3	121.35
¶ Graphite listed, Order by Application			
11 Cover, Under Dash			
100 Series			
w/ A/C			
Right	443 863 052 J 01C	.2	31.25
Left	443 863 051 L 01C	.2	42.85
w/o A/C			
Right	443 863 052 J 01C	.2	31.25
Left			
Man Trans	443 863 051 K 01C	.2	N.A.
Auto Trans	443 863 051 J 01C	.2	N.A.
200 Series			
w/ A/C			
Right	443 863 052 J 01C	.3	31.25
Left	443 863 051 L 01C	.3	42.85
w/o A/C			
Right	443 863 084 K 01C	.3	24.60
Left (a)	443 863 075 J 7FR	.3	121.35
¶ Graphite listed, Order by Application			
12 Tray, Right Storage	443 863 084 K 01C	.3	24.60

CENTER CONSOLE

Use Procedure Explanation 14 with the following text.

O/H Front & Rear Console Complete	1.6
R&I Rear Console	.8