

<b>Wheelhouse Assy</b>			
1 Right			
10 Valve Eng w/Air Bag	443 809 102 AF s #8.5	635.00	
w/o Air Bag	443 809 102 K s #8.5	635.00	
20 Valve Eng	443 809 106 J s #8.5	635.00	
2 Left			
10 Valve Eng w/Air Bag	443 809 101 AF s #8.5	635.00	
w/o Air Bag	443 809 101 J s #8.5	635.00	
20 Valve Eng	443 809 105 J s #8.5	635.00	
<b>#w/Suspension Assemblies &amp; Necessary Bolted Parts Removed, Time does not include Rear Sidemember (Item 23)</b>			
<b>Reinf Assy, Wheelhouse Front</b>			
3 Right	443 805 304 B s 2.5	101.30	
4 Left	443 805 303 B s 2.5	101.30	
5 Bracket (a)	L 431 805 687 A s	6.00	
6 Brkt, Reservoir (a)	L 443 809 317 s	5.70	
(a) Included w/Left Front Wheelhouse Reinf Assy			
7 Strut, Apron Upper	R 443 805 870 s	36.45	
	L 443 805 869 s	36.45	
8 Brkt, Steering Gear (a)	L 443 809 321 s	31.05	
(a) Included w/Left Front Wheelhouse Reinf Assy			
<b>9 Brkt, Right Air Cleaner</b>			
10 Valve Eng	443 809 961 B s	7.25	
20 Valve Eng	447 809 959 G s	11.05	
<b>Sidemember Assy</b>			
10 Right			
10 Valve Eng w/Air Bag	443 803 102 L s #10.0	640.00	
w/o Air Bag	443 803 102 F s #10.0	640.00	
20 Valve Eng	443 803 114 E s #10.0	435.80	
11 Left			
10 Valve Eng w/Air Bag	443 803 101 L s #10.0	640.00	
w/o Air Bag	443 803 101 F s #10.0	640.00	
20 Valve Eng	443 803 113 C s #10.0	174.30	
<b>#w/Suspension Assemblies &amp; Necessary Bolted Parts Removed</b>			
12 Plate Assy, End (b)	R 443 805 856 s	62.65	
	L 443 805 855 s	62.65	
13 Mount, Absorber (b) (c)	R/L 4A0 805 677 C s	29.75	
(c) Included w/End Plate Assy			
<b>14 Bracket, Tow Rope (b)</b>			
10 Valve Eng	R 443 803 071 A	24.60	
20 Valve Eng	R 447 803 071 A	29.35	
15 Bracket (b)	R 443 803 112	19.05	
16 Bracket, Eng Mount (b)	R 443 803 030 s	53.05	
	L 443 803 029 s	53.05	
17 Reinforcement, Rear (b)	R/L 443 803 121 A s	17.90	
18 Reinf Assy, Front (b)	R 443 803 116 s	24.90	
	L 4A0 803 115 C s	61.35	
19 Plate, Cover (b) (e)	R 443 803 156 D s	d15.15	
	L 443 803 157 D s	39.00	
20 Plate, Threaded (b) (e)	R/L 4A0 803 171 s	5.50	
(e) Included w/Wheelhouse Assy			
(b) Included w/Sidemember Assy			
(e) Included w/Front Reinf Assy			

21 Bracket, Air Cleaner			
10 Valve Eng	R 443 809 959 C	63.80	
20 Valve Eng	R 447 809 959 H	13.95	
22 Sidemember, Rear w/Air Bag	R 443 803 104 C s #6.0	d197.80	
	L 443 803 103 C s #6.0	197.80	
	R 443 803 104 B s #6.0	197.80	
	L 443 803 103 B s #6.0	197.80	
<b>#w/Necessary Bolted Parts Removed</b>			
23 Cover, Drive Shaft	R 443 863 188	62.75	
	L 443 863 187	d59.15	
24 Cover Plate, Eng Mount-See Engine Mount Section			
25 Shield, Sidemember	R 443 804 106 A	7.00	
	R 447 804 106	56.20	
26 Reinf, Wheelhouse	R 443 809 098 B s 1.5	66.65	
	L 443 809 097 s 1.5	27.35	
27 Tank, Vacuum Bracket, Vacuum Tank USA	443 809 163 A	2.90	
Canada	N.A.	N.A.	

**SUB-FRAME**

<b>1 Sub-Frame</b>			
	443 399 313 J	#3.0	589.00
<b>#Includes R&amp;R Bushings, Not Included in O/H</b>			
<b>Bushing, Mount</b>			
2 Front	R/L 443 399 415 A		30.15
3 Rear	R/L 443 399 419 A		54.30
4 Mount, Trans Bracket, Trans Support	R/L 431 399 151 D	.6	33.50
5 Right			
100 Series	443 399 104 L	#.4	73.35
200 Series	443 399 104 F	#.4	73.35
6 Left			
100 Series	443 399 113 E	#.4	96.70
200 Series	431 399 113 G	#.4	100.25
<b>#w/Mount Removed</b>			

**AIR BAG SYSTEM**

Disable & Enable Air Bag System ..... m .3  
 Diagnose Air Bag System (If Required)..... m .5  
**NOTE 1: R&R Does Not include disable and enable or diagnose Air Bag System.**

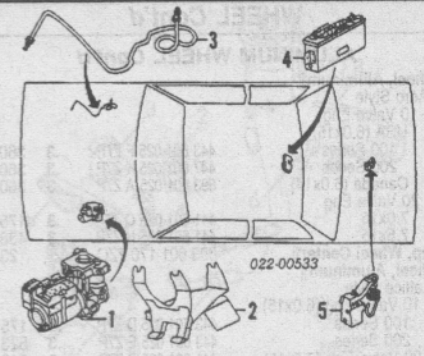
**NOTE 2: Refer to Procedure Explanation 30 for Supplemental Restrain/Air Bag System Component Inspection and Replacement information.**

<b>1 Module, Air Bag</b>			
	4A0 880 201 01Cm	.2	743.00
<b>2 Spring, Spiral</b>			
	4A1 951 543	m	313.10
<b>3 Control Unit, Air Bag</b>			
	441 959 655	m #.2	218.00
<b>4 Brkt, Control Unit</b>			
	100 Series	443 959 677 C m #.3	53.70
	200 Series	443 959 677 D m #.3	N.A.
<b>#Includes R&amp;R Sensor, w/Console Removed</b>			
<b>5 Module, Energy Reserve</b>			
	443 959 659	m #.2	132.95
<b>6 Transformer, Voltage</b>			
	443 959 663 B	m #.2	291.55
<b>#w/Console Removed</b>			
<b>7 Bracket, Transformer</b>			
	443 959 683	m	10.85

**ABS/BRAKES**

Bleed System.....	m	.6
-------------------	---	----

**NOTE: R&R Does Not include bleed system.**



<b>1 Hydro Unit, ABS</b>			
2 WD	443 614 111	m #2.1	916.00
4 WD	857 614 111	m #2.1	939.00
<b>#Includes Bleed System</b>			
<b>2 Bracket, Mounting #w/Hydro Unit Removed</b>			
	443 803 479 C	m #.3	103.50
<b>3 Line, Fluid</b>			
To Master Cylinder			
100 Series (2)	171 611 739 B	m	d23.80
200 Series			
Upper	191 611 994 B	m	6.35
Lower	191 611 994 D	m	6.70
To Front Brake Hose			
100 Series (2)	R/L 171 611 739 B	m	d23.80
200 Series	R 191 611 996 F	m	13.35
	L 191 611 994 A	m	6.25
To Pressure Regulator			
100 Series (2)	171 611 739 B	m	d23.80
200 Series			
Front (2)	171 611 739 B	m	d23.80
Rear	191 611 994 A	m	6.25
<b>¶Sold in 5 Meter Roll, Cut to Fit</b>			
<b>Sensor, Wheel-See Front Suspension Section</b>			
<b>4 Control Unit, ABS</b>			
100 Series	443 907 379 C	m .5	695.00
200 Series	857 907 379 D	m .5	695.00
<b>Bracket, Control Unit</b>			
	443 907 369 A	m	38.90
<b>5 Regulator, Pressure</b>			
100 Series (a)	443 614 151 B	m	647.00
200 Series	443 614 151 J	m	404.40
(a) Order by Application			

**WHEEL**

Use Procedure Explanation 10 with the following text.

**STEEL WHEEL**

Refinish Wheel ..... 5  
 Add to R&I Spare Wheel & Tire Assy ..... 2

<b>1 Wheel, Steel</b>			
10 Valve Eng	5.5Jx14		
	6.0x15		
w/Winter Tires	443 601 025 G	.3	157.75
w/o Winter Tires	443 601 025 G	.3	157.75
20 Valve Eng (7.0x15)¶	441 601 025 N Z7P	.3	120.15
<b>2 Cover, Wheel</b>			
100 Series	893 601 147 Z7C		56.75
200 Series	443 601 147 D Z7C		95.65
<b>¶Silver listed, Order by Application</b>			
Stem, Valve	281 601 361		1.10
Bolt, Lug	8D0 601 139 D		4.95

**ALUMINUM WHEEL**

Add to R&I Spare Wheel & Tire Assy ..... 2

<b>1 Wheel, Steel</b>			
10 Valve Eng	5.5Jx14		
	6.0x15		
w/Winter Tires	443 601 025 G	.3	157.75
w/o Winter Tires	443 601 025 G	.3	157.75
20 Valve Eng (7.0x15)¶	441 601 025 N Z7P	.3	120.15
<b>2 Cover, Wheel</b>			
100 Series	893 601 147 Z7C		56.75
200 Series	443 601 147 D Z7C		95.65
<b>¶Silver listed, Order by Application</b>			
Stem, Valve	281 601 361		1.10
Bolt, Lug	8D0 601 139 D		4.95