

AUDI 100/200 1989-91

COOLING Cont'd

6 Baffle, Upper Air	447 121 293 B	41.70
7 Baffle, Lower Air	443 121 284 C	70.15
100 Series		
200 Series		
10 Valve Eng	443 121 284 C	70.15
20 Valve Eng	447 121 284 AF	70.15
‡Includes Right Side Air Baffle		
Baffle, Right Side Air		
20 Valve Eng	447 121 284 AD	49.60
8 Baffle, Left Side Air	443 121 331 A	6.00
9 Housing, Fan	443 121 207 A	#.8 94.20
10 Fan & Motor Assy	443 959 455 N	#.8 412.95
11 Blade, Fan	443 959 465 B	#.8 74.30
‡Included w/Fan & Motor Assy		
‡R&R Complete		
12 Hose, Rad Upper		
100 Series	447 121 101 A	#.6 13.55
200 Series		
10 Valve Eng	447 121 101 H	#.6 70.60
20 Valve Eng	447 121 101 S	#.6 116.10
13 Hose, Rad Lower	447 121 055 B	#.6 11.00
‡R&R Both Upper & Lower .8		
14 Hose, Coolant Tank	447 121 109 A	.6 17.15
15 Tank Assy, Coolant	443 121 403	.3 31.85
16 Cap, Filler	443 121 321	10.25
‡Included w/Coolant Tank Assy		
Pump, Water		
100 Series	034 121 004 X	m 2.0 107.85
200 Series		
1989		
To Ch 44K004457	035 121 004 X	m 2.0 112.75
From Ch 44K004458	034 121 004 X	m 2.0 107.85
1990-91	034 121 004 X	m 2.0 107.85

A/C REFRIGERANT CAPACITIES

A/C R-12 Refrigerant Capacity
 1989: 38-39.5 Ozs (2.37-2.46 Lbs)
 1990-91: 36-39 Ozs (2.25-2.43 Lbs)

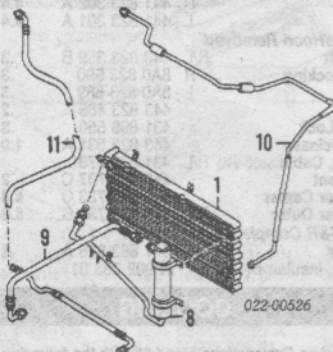
AIR CONDITIONING/HEATER

Use Procedure Explanation 6 with the following text.

AIR CONDITIONING

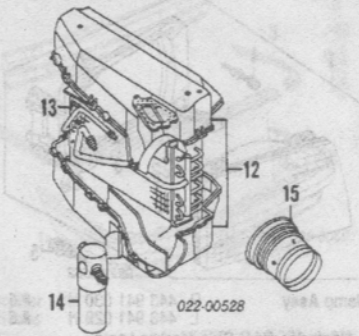
Evacuate & Recharge System	m 1.4
Refrigerant Recovery	m .3

NOTE: R&R Does Not include recover, evacuate and recharge system.



1 Condenser	443 260 401 H	m 1.0	842.00
‡Order by Application			
2 Compressor	034 260 805 C	m 1.1	728.00
Clutch & Pulley	034 260 811	m #.9	301.10
3 Bracket, Compressor Mount			
To Engine	034 260 885 D	m #.3	207.15
‡w/Compressor Removed			
4 Bracket, Upper	034 260 885 B	m	104.90
5 Bracket, Lower	034 260 881 A	m	49.65
6 Bracket, Front Adjust	034 260 903 B	m	49.35
7 Bracket, Rear Adjust	034 260 917 B	m	18.70
Belt, Drive	034 260 849		10.25
8 Receiver/Drier	443 260 411 B	m 1.6	196.10
9 Hose, Compressor			
To Receiver/Drier	443 260 701 C	m #.6	227.65
10 Hose, Condenser			
To Evaporator	443 260 712 C	m #.6	192.45
11 Hose, Evaporator			
To Compressor	443 260 707 K	m #.6	217.45

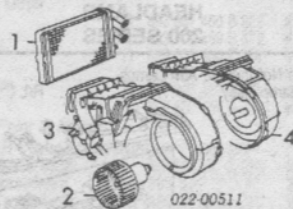
#Each Additional .4



2 WD

12 Case, Evaporator	443 271 120		d95.10
13 Core, Evaporator	443 271 105 C	m 1.8	316.95
14 Valve Unit	443 271 161 A	m .8	112.25
15 Adapter, Housing	431 260 245 A		7.40

HEATER



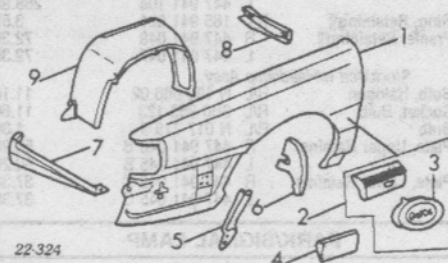
1 Core, Heater	443 819 030	m 3.6	121.15
2 Motor, Blower	431 959 101 C	m 3.5	206.35
3 Housing, Blower Right	443 819 096 A	m #3.6	90.00
4 Housing, Blower Left	443 820 087	m #3.6	119.80

#R&R Complete Includes R&R Heater Core

FRONT FENDER

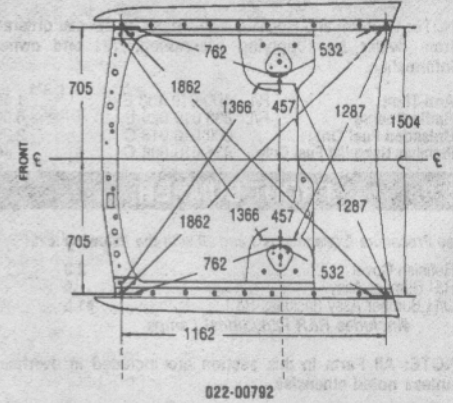
Use Procedure Explanations 7 and 28 with the following text.

Refinish Fender Outside	R/L	2.4
Add to Edge	R/L	.5
R&I Fender Assy	R/L	2.5
Add to R&R Fender		
To Drill Holes for Installation		
One Moulding	R/L	.3
Each Additional Moulding	R/L	.2



1 Fender			
10 Valve Eng	R 443 821 106 B	3.0	287.40
	L 443 821 105 B	3.0	287.40
20 Valve Eng	R 447 821 106 D	3.0	779.00
	L 447 821 105 D	3.0	779.00
2 Mldg Assy, Side	R 447 853 972 D O1C	#.6	97.95
	L 447 853 971 D O1C	#.6	97.95
3 Emblem	R/L 447 853 621 O1C		13.40
‡Included w/Side Moulding Assy			
4 Cover, Trim Lower	R 443 853 992 C O1C	#.6	7.60
	L 443 853 991 C O1C	#.6	7.60
‡w/Outer Skirt or Fender Removed .2, R&R Emblem w/Moulding Removed .2			
5 Guard, Stone	R 443 807 170		45.30
	L 443 807 169		45.30
6 Seal, Rear			
10 Valve Eng	R 443 821 197		8.25
	L 443 821 197		8.25
20 Valve Eng	R 441 821 198		12.65
	L 443 821 197		8.25
7 Brace, Front	R 443 821 138	.2	14.95
	L 443 821 137	.2	14.95
8 Reinf, Rear	R/L 443 809 523		13.95
9 Skirt, Outer (Plastic)			
10 Valve Eng	R 443 821 172 C	.6	61.45
	L 443 821 171 B	.6	61.45
20 Valve Eng	R 447 821 172	.6	133.95
	L 447 821 171	.6	133.95

UNDERHOOD DIMENSIONS

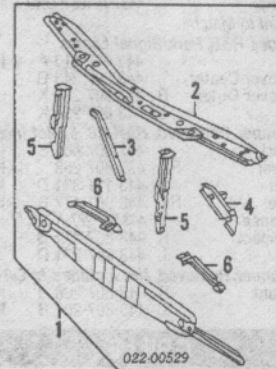


FRONT INNER STRUCTURE

Use Procedure Explanations 8 and 28 with the following text.

FRONT

Refinish Radiator Support Assy	1.5
Refinish Upper Crossmember	.5
Refinish Outer Support	R/L .5
Add to R&R Front Support Complete	
To R&R Base Model Mechanical Components	m #.4
‡Includes R&R Oil Cooler	
w/Turbo	.3
To Aim Lamps	.4



1 Support Assy, Front			
10 Valve Eng	443 805 571 A	#4.1	212.95
20 Valve Eng	447 805 571	#4.1	212.95
‡Includes R&I Headlamp Assemblies, R&I/R&R Grille, A/C Condenser, Lower Air Duct, Washer Reservoir, Air Baffles, Impact Absorbers, Hood Catches, Horns, Disconnect & Connect Wiring & Release Cable as Necessary			
2 Crossmember, Upper	443 805 591	s #3.0	78.85
‡w/Necessary Bolted Parts & Radiator Removed			
3 Support, Center	443 805 593	s	31.15
4 Cover, Support	443 805 649		3.65
5 Support, Outer	R 443 805 800 A	s #2.0	36.80
	L 443 805 799 A	s #2.0	36.80
‡w/Necessary Bolted Parts & Radiator Removed			
6 Bracket, Apron			
10 Valve Eng	R 443 805 932	s	20.45
	L 443 805 931	s	20.45
20 Valve Eng	R 447 805 925	s	34.35
	L 447 805 931	s	20.20
‡Included w/Front Support Assy			

SIDE

Refinish Wheelhouse Assy		
w/Sidemember	R/L	2.0
Refinish Sidemember Assy	R/L	1.0

Illustration Located in Next Column