

**INFORMATION LABELS**

NOTE: Vacuum and Routing labels must be special ordered from dealer by supplying description, VIN and owner information.

Anti-Theft	R/L 4D0 010 138 E	1.40
Radio-Coding	R/L 893 010 020 L	6.00
Unleaded Fuel Only	000 010 018 C	2.25
Premium Unleaded Fuel Only	034 010 006 C	1.40

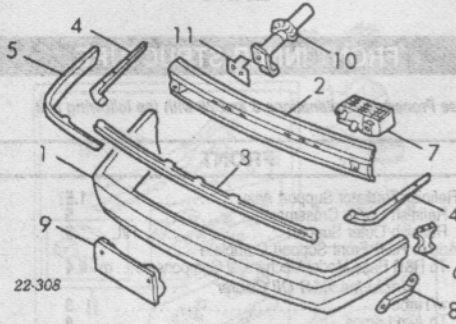
**FRONT BUMPER**

Use Procedure Explanations 1 and 28 with the following text.

Refinish Cover	2.3
R&I Bumper Assy	.6
O/H Bumper Assy (Includes R&I)	#1.5

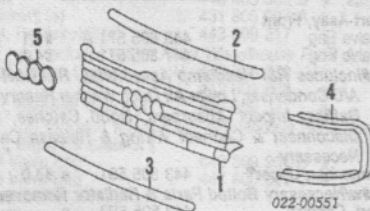
#Includes R&R Park/Signal Lamps

NOTE: All Parts in this section are included in overhaul unless noted otherwise.



1 Cover, Bar (P)	443 807 105 P GRU	#1.5	386.25
<i>(P) Paint to Match</i>			
#Includes R&R Park/Signal Lamps			
2 Bar, Rein	443 807 113 A	IOH	324.45
3 Moulding, Cover Center	443 807 243 G	#3	118.75
4 Moulding, Cover Outer	R 443 807 260 K	#3	38.90
	L 443 807 259 K	#3	38.90
#w/Bumper Removed, R&R All .6, Not Included in O/H			
5 Strip (Rubber)	447 807 668 B	.3	39.50
6 Bracket, Cover	R/L 433 807 253	IOH	5.55
7 Buffer, Cover	L 443 121 331 D	IOH	25.70
8 Bracket, Side	R/L 443 807 477 B	IOH	2.00
9 Bracket, License	443 807 287 A 01C	.3	18.50
10 Absorber, Impact	R 443 807 272 D	#3	108.70
	L 443 807 271 D	#3	108.70
#w/Bumper Removed, Not Included in O/H			
11 Bracket, Mount	R 443 807 208 B	IOH	23.70
	L 443 807 207 B	IOH	23.70

**GRILLE**

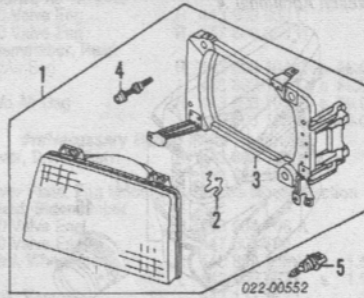


1 Grille, Upper			
100 Series	443 853 655 C 01C	#5	141.70
200 Series	447 853 655 C 01C	#5	145.75
#Includes R&R Mouldings & Ornament			
2 Moulding, Upper			
100 Series	443 853 711	.3	20.05
200 Series	447 853 711 B	.3	41.30
3 Moulding, Lower			
100 Series	443 853 713	.3	20.05
200 Series	447 853 713 B	.3	41.30
4 Moulding, Side Extension			
200 Series			
20 Valve Eng	R 447 853 684 B	#2	62.25
	L 447 853 683 B	#2	62.25
#w/Side Marker Lamp Removed			
5 Ornament Nameplate "Quattro"	443 853 605	.2	24.60
	447 853 736 C ZZZ	.2	16.60

**FRONT LAMPS**

**HEADLAMP 100 SERIES**

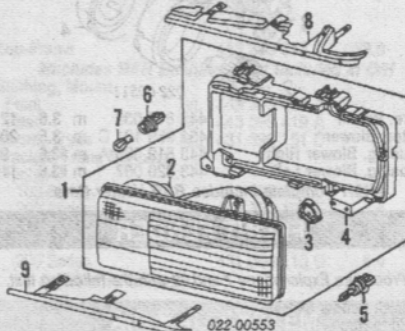
R&R Does Not Include Aim Lamps	.4
R&I Headlamp Assy	R/L .3



1 Headlamp Assy	R 443 941 030 H	#5	238.55
	L 443 941 029 H	#5	238.55
#Includes R&R Side Marker Lamp			
2 Spring, Bulb Retaining	R/L 357 941 172		1.80
3 Frame, Retainer	R 443 941 048		117.70
	L 443 941 047		117.70
4 Screw, Adjusting			
Upper			
Fixed	R/L 443 941 133	5.35	
Moveable	R/L 443 941 141	5.35	
Lower	R/L 443 941 141	5.35	
#Included w/Headlamp Assy			
5 Bulb, Halogen	R/L N 100 666 02		11.10

**HEADLAMP 200 SERIES**

R&R Does Not Include Aim Lamps	.4
R&I Headlamp Assy	R/L .4



1 Headlamp Assy	R 447 941 030 C	#6	304.45
	L 447 941 029 C	#6	304.45
#Includes R&R Side Marker Lamp			
2 Lamp Unit	R 447 941 106	268.95	
	L 447 941 105	268.95	
3 Ring, Retaining	R/L 165 941 621	3.55	
4 Frame, Retaining	R 447 941 048	72.30	
	L 447 941 047	72.30	
#Included w/Headlamp Assy			
5 Bulb, Halogen	R/L N 100 666 02		11.10
6 Socket, Bulb	R/L 380 953 123		11.60
7 Bulb	R/L N 017 718 5		1.30
8 Plate, Upper Retainer	R 447 941 046 B	50.20	
	L 447 941 045 B	50.20	
9 Plate, Lower Retainer	R 447 941 046 C	37.30	
	L 447 941 045 C	37.30	

**PARK/SIGNAL LAMP**



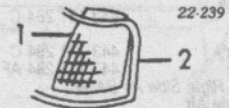
1 Lamp, Park/Signal	R 443 953 056	#3	28.25
	L 443 953 055	#3	28.25
#Included in O/H Bumper			
Lens-Not Serviced			
Socket	R/L 380 953 123		11.60
Bulb	R/L N 017 732 2		1.30

**SIDE MARKER LAMP 100 SERIES**



1 Lamp, Side Marker	R 443 941 626 A	#2	66.95
	L 443 941 625 A	#2	66.95
#w/Headlamp Assy Removed			
Socket	R/L 380 953 123		11.60
Bulb	R/L N 017 718 5		1.30

**SIDE MARKER LAMP 200 SERIES**

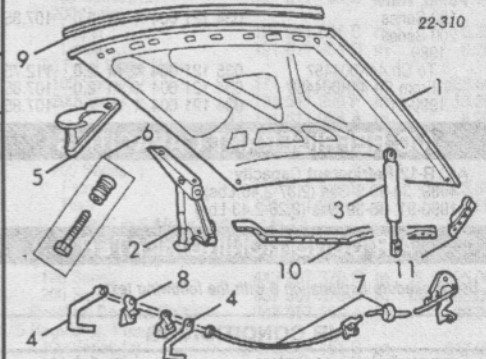


1 Lamp, Side Marker	R 447 941 626 B	#3	45.60
	L 447 941 625 B	#3	45.60
#w/Headlamp Assy Removed			
2 Moulding, Outer	R 447 853 684 B	#2	62.25
	L 447 853 683 B	#2	62.25
#w/Side Marker Lamp Removed			
Socket	R/L 161 949 111		2.70
Bulb	R/L N 900 544 01		1.00

**HOOD**

Use Procedure Explanations 4 and 28 with the following text.

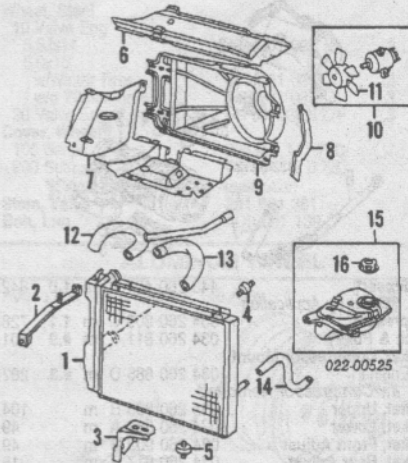
Refinish Hood Outside	3.1
Add for Underside	1.5
Refinish Hinge	R/L .2
R&I Hood Assy	.6



1 Panel, Hood			
100 Series	443 823 029 F	1.5	443.95
200 Series	447 823 029 F	1.5	529.00
2 Hinge	R 441 823 302 A	#4	44.80
	L 441 823 301 A	#4	44.80
#w/Hood Removed			
3 Strut, Lift	R/L 443 823 359 B	.3	76.90
4 Lever, Locking	R 8A0 823 590	.3	3.75
	L 8A0 823 589	.3	3.75
5 Hook	443 823 485	.2	6.95
6 Pin Kit, Lock	431 898 550	.3	11.05
7 Cable, Release	443 823 531 A	1.0	29.40
8 Retainer, Cable	R/L 431 823 573		1.10
9 Seal, Front	443 823 737 C	.2	33.35
10 Seal, Rear Center	443 823 723 C	#3	38.85
11 Seal, Rear Outer	R/L 443 823 731 C	#3	6.55
#R&R Complete			
Insulator	441 863 825 A	.3	124.70
Retainer, Insulator (13)	N 902 293 01		1.00

**COOLING**

Use Procedure Explanations 5 and 28 with the following text.



1 Radiator	443 121 251 K	#1.7	257.50
#w/Turbo Add .3			
2 Upper Bracket, Mounting	443 121 261		12.40
3 Lower Bracket, Mounting	443 121 263 G		18.80
4 Upper Buffer, Mounting	R/L 443 121 273 E		10.80
5 Lower Buffer, Mounting	R/L 431 121 273		11.05